

LX918 Series Limit Switch 系列船用限位开关

用途 Application

LX918系列限位开关，用于交流50-60Hz，电压至500V及直流电压至440V的电路中，作限制各种机构的行程之用，也可直接作5.5kw三相鼠笼异步电动机（主要源的二相断火）限位开关。

LX918 series travel switch for 50-60HZ, and voltage to 550V and dc voltage circuit, 440V to make various institutions of the travel restrictions, also can be made directly 5.5 KW three-phase asynchronous motor cage (main source of two-phase broken fire) limit switch.

结构及工作原理 Structure and working principle

限位开关的外壳采用铜合金制成，其外壳有很好的机械强度，且有较好耐腐蚀性能。在海洋船舶环境条件下，材料的性能不会恶化。外壳型式为防护式，防护等级可达IP67。由于弹簧作用，能自动复位。操作位置：5° → 0° ← 45° 限位开关的触头断开与闭合由凸轮位置决定。

限位开关约定发热电流为16A；额定工作电压（Uc）和额定工作电流（Ie）对应如右图：

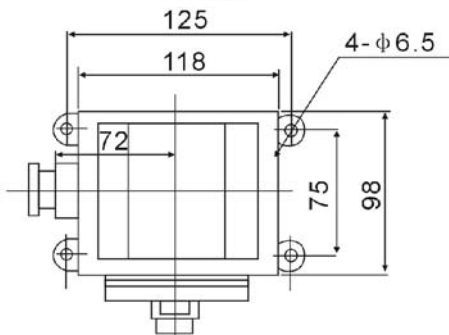
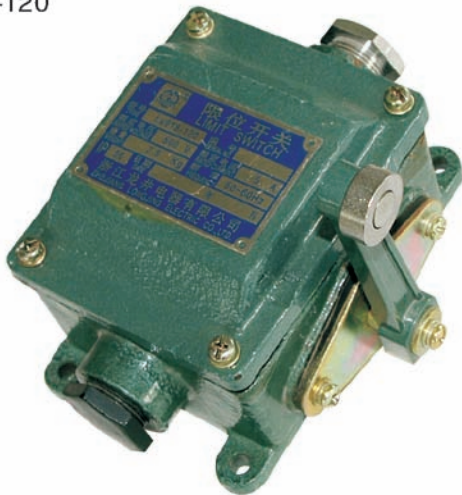
直接控制5.5Kw三相鼠笼型异步电动机用的额定工作电压为440V以下，额定工作电流为12A。

Limit switches shell adopts copper alloy, its shell has very good mechanical strength, and a good corrosion resistance. In Marine environment conditions, the properties of materials will worsen. Enclosure for protection type, type of protection grade IP67. Due to the spring, automatic reset. Operating position: 5°, 45°, 0° incomplete limit switches touch head position by disconnection and closed CAM.

Limit switches for the current contract fever 16A roller, The rated voltage 550V for insulation, The rated operating voltage (Uc) and rated current (Ie) such as:

Direct control of 5.5 KW three-phase asynchronous motors squirrel-cage with rated voltage for 440V below, rated current 12A.

LX918-120



适用环境条件 Applicable conditions

环境条件	额定数据 Nominal data
环境空气温度 Ambient air temperature	-25°C~+45°C
海上潮湿空气 Dampness at sea air	有
油雾、霉菌 Grease, mould	有
倾斜 tilt	任意倾斜 Any tilt
摇摆 swing	≤45°C
振动、冲击、颠簸 Vibration and impact, turbulence	有

主要技术数据 Main technical data

项目 type	Ue V	Ie A V
交流	500	2.00
	380	2.60
	220	4.60
直流	440	0.14
	220	0.27
	110V	0.55

